



Acoustic Treatment Pack



STANDARD COLOUR

TRAP 30S®/ TRAP 30R®

Absorbent Panel

TRAP 30S® and TRAP 30R® are low-frequencies' node reduction tools. They are made of high quality cell controlled, self-extinguishable M1 fire-retardant acoustic foam.

Bass corners' absorbers are substantially adequate to control nodes in the rooms. This simple and affordable solution provides immediate results for those who do not want time-consuming building solutions. TRAP 30S® and TRAP 30R® are effective low frequency smoothing panels at a price affordable to everybody.

This model proposes two optional shapes: one with straight lines and one with curved lines. Choose the shape that is most suitable to your room.

Features:

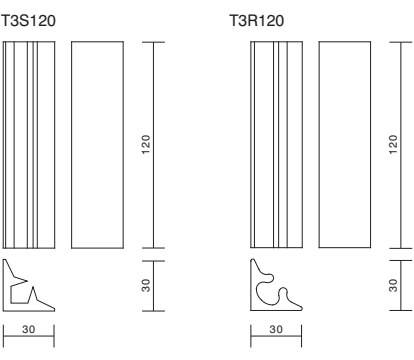
- NRC average: 0.87 / m2 [$>250\text{Hz}; <10\text{KHz}$].
- Self-extinguishable M1 fire-retardant acoustic foam.
- Installation: glues included.
- In stock for immediate delivery.
- Very easy to install.
- Other colours available upon consultation.



Package Data:

	T3S120				T3R120			
	H	W	D	Kg	H	W	D	Kg
4 units/box	124 cm	64 cm	30 cm	6.2	124 cm	64 cm	30 cm	6.2

Technical Drawing:



Values:

															Absorption Coefficient										
Hz	50	63	80	100	125	160	200	250	315	400	500	630	800	1k	1.25k	1.6k	2k	2.5k	3.15k	4k	5k	6.3k	8k	10k	NRC
	[$>250\text{Hz}; <10\text{KHz}$]																								
αS	0	0.02	0.06	0.11	0.39	0.58	0.70	0.80	0.77	0.63	0.71	0.80	0.87	0.94	0.95	0.93	0.89	0.91	0.91	0.93	0.94	0.95	0.95	0.97	0.87

— Values in accordance with the standards: EN 20654, ASTM C423 and EN 11654. Non Standard values.

Model Sizes:

	H	W	D	Kg
T3S120	120 cm	30 cm	30 cm	0.9
T3R120	120 cm	30 cm	30 cm	0.9

Graphic:

